

RFID TECHNOLOGY MID RANGE READER

10 Meters

Nundnet NT 910P



Nundnet NT 910 P is an elegant and robust (RFID) Radio Frequency Identification reader in compliance with EPC GEN 2 (ISO 18000-6C) standard. Built-in modules includes RF modulation units developed for the transmission power of 27.9dB and an antenna with gain of 8dBi.

The Weigand and serial port RS 485 are available for the communication. The reader is designed with several operation frequencies like 902 ~ 928MHz, 865 ~ 868MHz, 922 ~ 928MHz and an ideal sensing range for reading of tags or the related device is 10M.

An IP X6 rating insures that the device can resist penetration of water to avoid the risk.

KEY FEATURES

Built-in antenna with gain of 8dBi
 Built-in RF Module 27.9 dBm adjustable
 Frequency range's 922 ~ 928MHz,
 902 ~ 928MHz, 865 ~ 868MHz,
 IP X6 ingress protection rating
 Wiegand, RS 485 serial communication
 Compliant with EPC Gen II (ISO 18000-6C)
 Ideal sensing range *~10M

Wireless Frequency

Available in various operating frequencies
 922 ~ 928MHz, 902 ~ 928MHz, 865 ~ 868MHz,



Weather Proof Housing

IP X6 rated, Protects from powerful water jets,
 thereby is waterproof.



Hermetically Protected Housing

This protects the inner parts from any sort of
 vandalism to a very large extent.



LED Indicators

Bi Colored LED Indicators to notify power, card
 detection, card rejection.



Sensing Range

The wireless detection or sensing range does
 not exceed 10 Meters



INTERFACE

Nundnet NT 910P is developed & designed for easy integration into existing digital & electronic management systems in the industry, viz.a.viz access controls, car parking & vehicle access control, retail & property management, ID access control for offices and private buildings, handfree operation. The communication interfaces are RS485 for serial communication, open standard industrial protocol wiegand and other protocols.

MODULATION

Nundnet NT 910P uses Amplitude Shift keying (ASK), that represents the digital data as variations in the amplitude of a carrier wave. Here the binary symbol 1 is represented by transmitting a fixed-amplitude carrier wave & fixed frequency for a bit duration of T seconds. If the signal value is 1 then the carrier signal will be transmitted; otherwise, a signal value of 0 will be transmitted. This is the most sophisticated scheme of modulation which represent the data in groups using an additional amplitude levels.

READING RANGE

Nundnet NT 910P are designed to sense Gen2 EPC global are multi frequency 860 ~ 960 MHz. Ultra High Frequency (UHF) passive RFID Tags, and an ideal sensing range unto 10Meters.

ISO 18000-6C

It defines air interface parameters for tags operating within the frequency range of 860–960 MHz and allows for use of different frequencies in different regions from within this range. Nundnet NT 910 P offers frequency range of 902~ 928MHz, 865~ 868MHz, 922 ~ 928MHz.

HOUSING

NT 910P enclosure can be subjected to a jet of water from a nozzle of 12.5 mm diameter at a distance of 2.5 ~3 M. The water flow rate can be 100 l/ min applied for a time of 1 min /m², with a minimum of 3 minutes. Hence IPX6 rating means that water cannot penetrate into the device in such a quantity or in such a position that can prove risky for the operation of unit. The IP X6 rating insures that the device can be used for outdoor applications like car parking, gate access etc.

FCC COMPLIANCE

Nundnet NT 910P equipment has been tested and found to comply with the limits for a Class B digital device, pursuant to part 15 of the FCC rules. This device is designed to provide the reasonable protection against harmful interference in a residential installation. This equipment generates, uses and can radiate radio frequency energy and, if not installed and used in accordance with instructions, may cause harmful interference to radio communications. However, there is no guarantee that interference will not occur in a particular installation.

SPECIFICATIONS

MID RANGE RFID READER

NT 910P

| COMMUNICATION | | |
|------------------------|-----------------------------|----------------|
| Operating frequency | A | 902 ~ 928 MHz. |
| | B | 865 ~ 868 MHz. |
| | C | 922 ~ 928 MHz. |
| Modulation | PR-ASK, ASK | |
| Communication | RS 485, Wiegand | |
| Supported transponders | EPC Gen 2 (ISO 18000 - 6C) | |

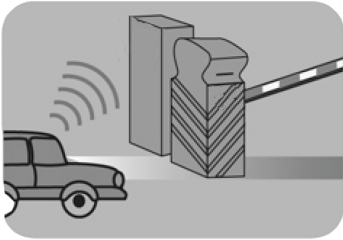
| ANTENNA PARAMETERS | |
|----------------------|-----------------------|
| Reading range* | ~10 Meters |
| Transmission power | 27.9dBm (adjustable) |
| Receiver sensitivity | -85 dBm |
| Antenna gain | 8 dBi |

| GENERAL | |
|--------------------|-------------------------|
| Ingress Protection | IP x6 |
| Temperature | Operating -20°C ~ 55°C, |
| | Storage -20°C ~ 85°C |
| Relative humidity | 5~ 90% |
| Dimensions (mm) | 117 x 117 x 44(LxWxH) |
| Certifications | FCC, CE, RoHS |

| MECHANICAL | |
|------------|---|
| Housing | Cover ABS (Acrylonitrile Butadiene Styrene) |
| Mounting | Wall, Surface |
| Weight | 1.8Kg (1800grams) |

| ELECTRICAL | |
|-------------------|-------|
| Operating voltage | 12 V |
| Current | < 1 A |

APPLICATION



Car parking & vehicle access control



ID access control for offices & private buildings

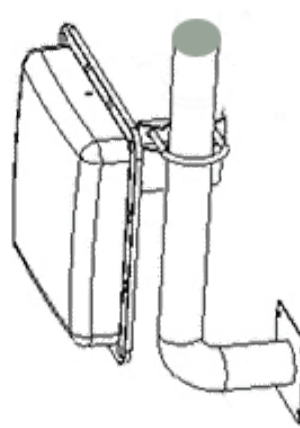


Handfree operation

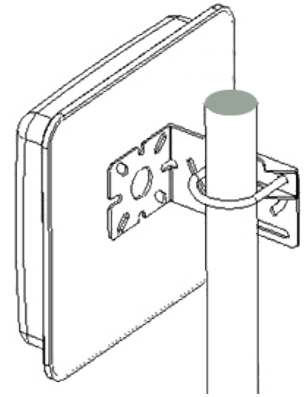


Retail & property management

INSTALLATION

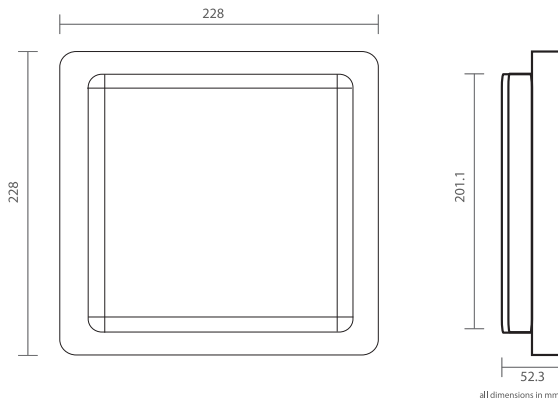


Stand mount



Wall mount

DIMENSIONS



ORDERING METHOD

| | |
|-------------------|--|
| Nundnet NT 910 PX | Mid range UHF RFID reader 10M, IP X6 rated |
| X : | A 902 ~ 928 MHz. |
| | B 865 ~ 868 MHz. |
| | C 922 ~ 928 MHz. |

* Effective distance depends on antenna, tag and environment.

Nundnet, the Nundnet logo, and other trademarks associated with Nundnet products referred to in this publication are trademarks of Nundlab, Inc. USA or its affiliates. Product specifications and availability are subject to change without notice. ©Copyright 2017, Nundlab, Inc. USA, All rights reserved.

