

PROXIMITY READER 2.0 SERIES

NT 212PRK

Nundnet Proximity Card, PIN Reader



Nundnet NT 212PRK is slim & robust, super sealed design made of the fireproof material using the polycarbonate. The keypad is made of backlit stainless steel hence very robust.

Two LED indicators are for the programing and operation indication.

The Wiegand port is for communication & integration, and the proximity detection range is based on the cards and frequency.

KEY FEATURES

- Slim design
- Specially sealed with no screw visible
- Fireproof material casing using polycarbonate
- LED indicators for operation
- 3 x 4 pattern keypad
- 12 stainless steel buttons for keypad
- Frequency supported 125KHz / 13.56MHz
- Reading distance 5cm/ 10cm based on frequency
- Wiegand port 26bit, 34bit

SPECIFICATIONS

OPERATION	
Operating Frequency	125KHz (EM) 13.56MHz (Mifare)
Card Technology	Proximity
Card Reading Range	5~10cm (EM) 2~5cm (Mifare)
Keypad	3 x 4 matrix, 12 stainless steel buttons
Keypad signal	8 bit
LED Indicator	Red, Blue
Output	Anti tamper Alarm Output
ELECTRICAL	
Power Supply	12 VDC ±15%
Consumption	90mA (standby), 120mA (operation)
MECHANICAL	
Material	Polycarbonate
Ingress Protection	IP 56
COMMUNICATION	
Serial Interface	RS 485 / 9600bps (N,8,1)
Serial Port	4800bps, N, 8, 1
Wiegand port	34bit, 26bit
GENERAL	
Storage Temperature	-20 ~ +70 ° C
Operating Temperature	-20 ~ +60 ° C
Humidity	90% RH
Wiegth (grams)	210 grams
Dimensions (mm)	107 x 80 x 18 (Lx W x H)
Color	Black/ white

Weather Proof Housing

IP 56 rated, protection against the dust and water jets.



Enclosure

Capable, robust materials such as in impact resistant glass-like surfaces.



Relay Modules

The built-in relay modules NO/NC helps in easy system Integration.



Fire proof

The device is designed using the fire resistant polycarbonate material



Access Mode

PIN, Proximity card options are available with the optional frequency of 125KHz, 13.56MHz

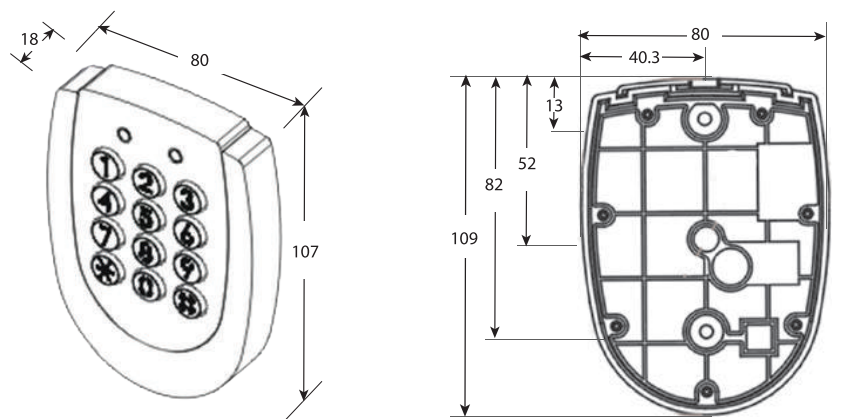


Alarm function

Buzz on vandalism, illegal operation, failure etc.



DIMENSIONS



all dimensions are in mm

FCC COMPLIANCE

Nundnet NT 212PRK equipment has been tested and found to comply with the limits for a Class B digital device, pursuant to part 15 of the FCC rules. This device is designed to provide thereasonable protection against harmful interference in a residential installation. This equipment generates, uses and can radiate radio frequency energy and, if not installed and used in accordance with instructions, may cause harmful interference to radio communications. However, there is no guarantee that interference will not occur in a particular installation.

ORDERING METHOD

NT 212 PRKA Proximity card reader, Polycarbonate material with Wiegand port, 26/ 34bit wide, Metal keypad backlit, 12VDC±15%
A : 1 (frequency 125 KHz), 2 (frequency 13.56 MHz)