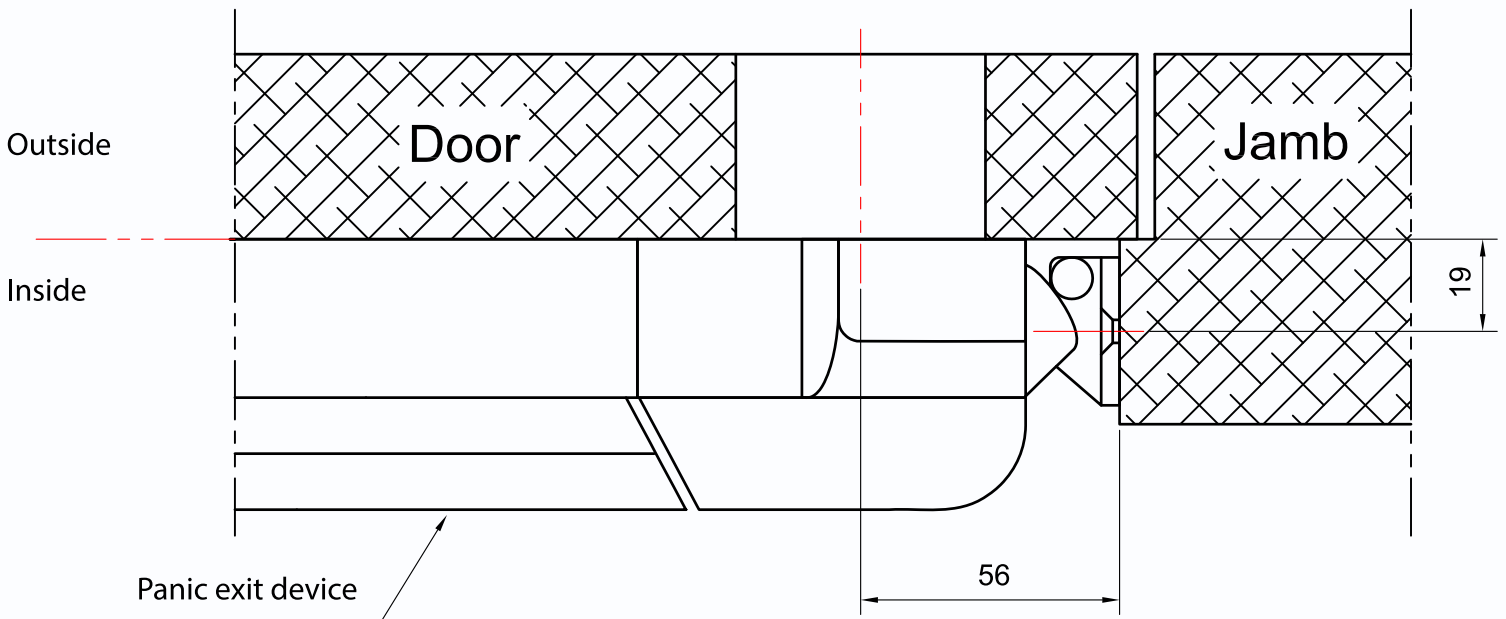
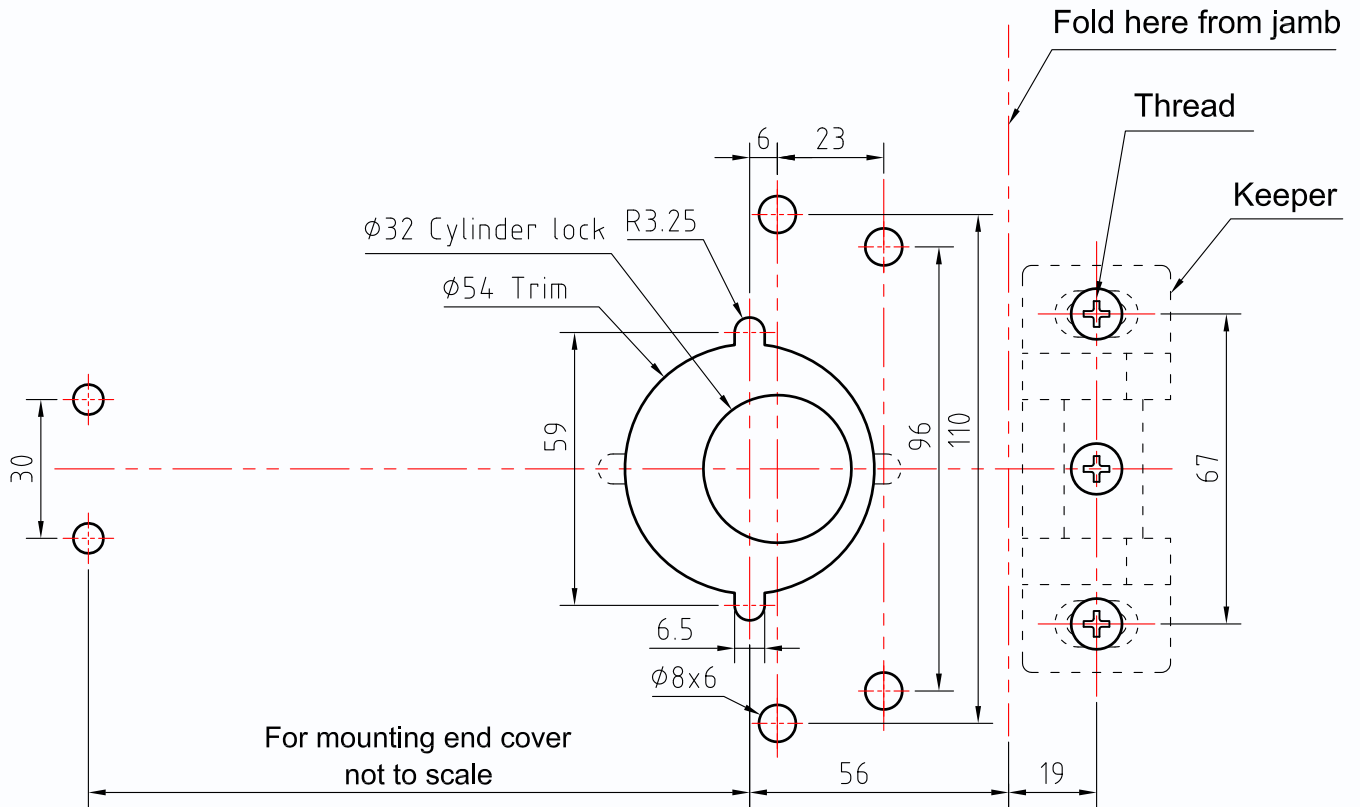


Template hole for exit device



			Item	Mechanical push bar	Dimensions	mm
			Model	NU8829PMK	Weight	
Drawings	1075	2019.03.16	Bar size	15.4 x 62.0 x 1045	Material	SUS 304
Checked by	4848	2019.03.16	3D Angle Projection			
Approved	1311	2019.03.16				
nundlab, inc. USA			https://www.nundnet.com		support@nundnet.com	

Please confirm if it is necessary to drill the holes based on the selected products and accessories.
 (Note :no need to drill the holes if use wood / taper screws.)