

## BREAK GLASS DOOR LOOP FOR ACCESS CONTROL



### FEATURES

- + Made of fire proof material
- + Sand blasted finish
- + Easy to install
- + Corrosion resistant contacts
- + Relative humidity 95%
- + Fail safe/ fail secure
- + 3A current
- + 36VDC (Max)
- + Available as green, red, orange, white colors

NU8860BG

Nundnet Turnstiles & Access Controls

### SPECIFICATIONS

GENERAL	
Material	Fireproof Sandblasted finish
Ingress protection	IP65 rated
Voltage	36VDC(max)
Current	3A
Contacts	NO, NC, COM
Operation	Fail safe/ Fail secure
Temperature	-10° C ~ +60°C (Operation) -10° C ~ +60°C (Storage)
Humidity	95% RH
Weight	200grams/ .20Kg
CERTIFICATIONS	
	CE, RoHS, WEEE

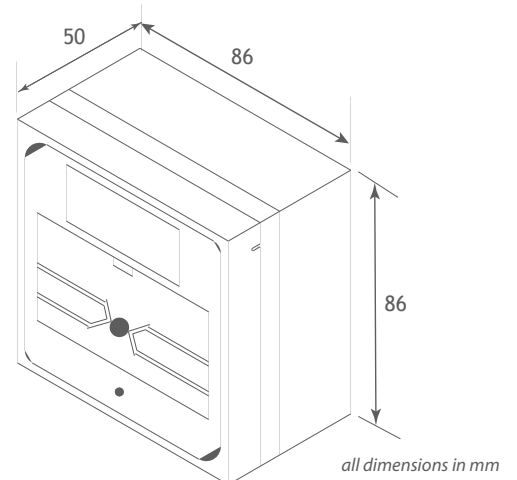
### COLORS AVAILABLE



### ORDERING METHOD

NU 8860BG      Emergency break glass

### DIMENSIONS



Nundnet, the Nundnet logo, and other trademarks associated with Nundnet products referred to in this publication are trademarks of Nundlab, Inc. USA or its affiliates. The product is warranted for the period of five years under limited conditions. For warranty terms & conditions kindly visit [nundnet.com/warranty](http://nundnet.com/warranty). Product specifications and availability are subject to change without notice. © Copyright 2014, Nundlab, Inc. USA, All rights reserved.

