

TOUCH FREE INFRA RED SENSOR



FEATURES

- + Stainless steel casing SUS304 grade
- + Blue LED back light
- + Sensing distance 1~100mm
- + MTBF 500,000
- + IP65 rated
- + Corrosion free contact
- + EN50131-1 Security Grade 2,
- + Environmental Class II

NU8851S1

Nundnet Turnstiles & Access Controls

SPECIFICATIONS

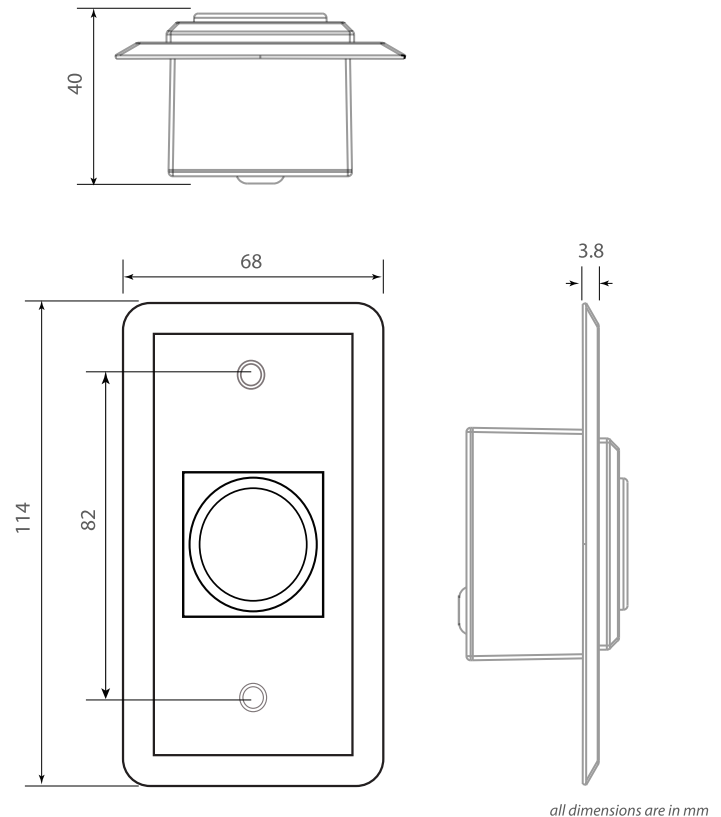
GENERAL

Input rating (V)	DC12~24V
Contact rating (A)	1A, 36VDC
Output contact	NO, NC, COM
Temperature	-20°C ~ +55°C (Storage/ operation)
Humidity	0-95% (Relative humidity)
Sensing range	1~100mm
Material	SUS304 steel
IP Rating	IP65
MTBF	500,000
Weight (grams)	200
Dimensions (mm)	114 x 68 x 40

CERTIFICATIONS

CE, RoHS, WEEE

DIMENSIONS



ORDERING METHOD

NU 8851S1

Standard touch free infra red sensor, LED built-in for backlit, rectangular design, stainless steel casing, corrosion free contact, EN50131-1 security grade 2, environmental Class II

Nundnet, the Nundnet logo, and other trademarks associated with Nundnet products referred to in this publication are trademarks of Nundlab, Inc. USA or its affiliates. The product is warranted for the period of five years under limited conditions. For warranty terms & conditions kindly visit nundnet.com/warranty. Product specifications and availability are subject to change without notice. © Copyright 2014, Nundlab, Inc. USA, All rights reserved.

