

TOUCH FREE INFRA RED SENSOR



FEATURES

- + Stainless steel casing SUS304 grade
- + Adjustable sensing distance 40-120mm
- + Adjustable time delay 1~25S
- + Red LED ON(standby)
- + Green LED ON(detection)
- + Sensing distance 1~100mm
- + MTBF 500,000
- + IP65 rated
- + Corrosion free contact
- + EN50131-1 security grade 2,
- + Environmental class II

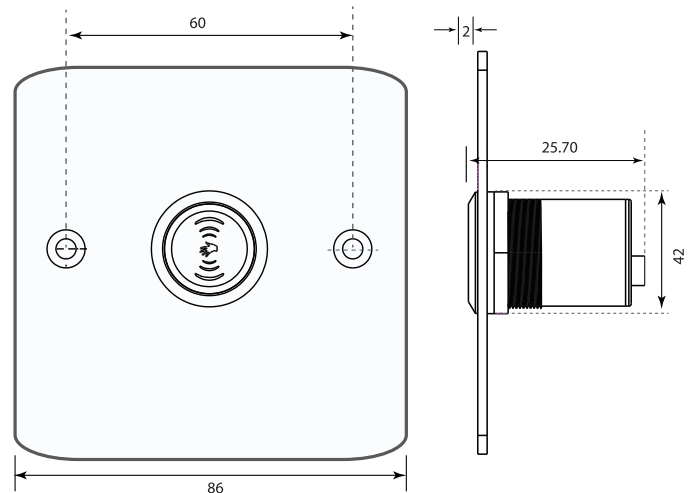
NU8851S5

Nundnet Turnstiles & Access Controls

SPECIFICATIONS

GENERAL	
Input voltage	DC12V
Contact rating	1A, 30VDC
Voltage free contacts	NO, NC, COM
MTBF	100,000 operations
Material	SUS 304 stainless steel
Temperature	-20C ~ +50C(operation/ storage)
Humidity	0-95% (relative humidity)
Sensing range	4-12cm(Adjustable)
Timer	1~25s(Adjustable)
Indicator	Red LED : Power ON(standby) Green LED : Power ON(sense)
Dimensions (mm)	86 x 86 x 25.7
Weight	1800gram
CERTIFICATIONS	
	CE, RoHS, WEEE

DIMENSIONS



All dimensions in mm

ORDERING METHOD

NU 8851S5 Standard touch free infra red sensor, LED built-in for backlit, square design, stainless steel casing, adjustable delay & sensing, corrosion free contact, EN50131-1 security grade 2, environmental class II

Nundnet, the Nundnet logo, and other trademarks associated with Nundnet products referred to in this publication are trademarks of Nundlab, Inc. USA or its affiliates. The product is warranted for the period of five years under limited conditions. For warranty terms & conditions kindly visit nundnet.com/warranty Product specifications and availability are subject to change without notice. © Copyright 2014, Nundlab, Inc. USA, All rights reserved.

