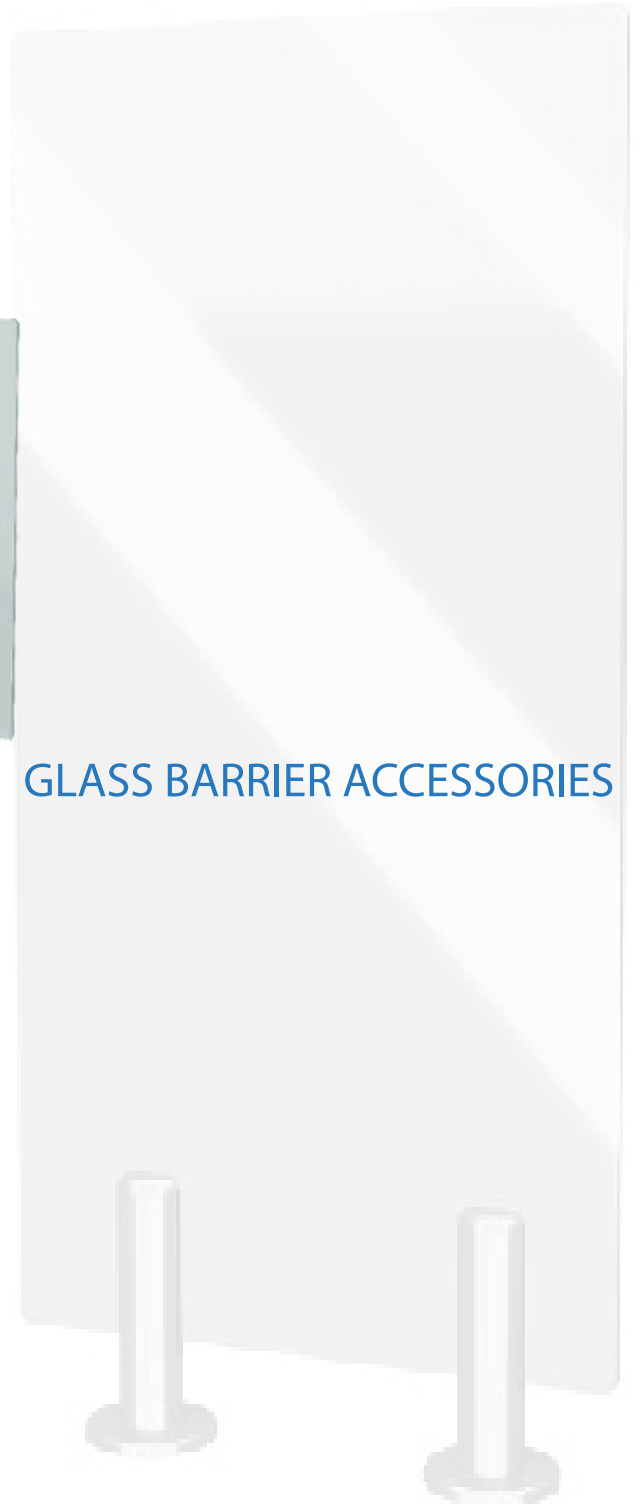




GLASS BARRIER ACCESSORIES





NUC 75B



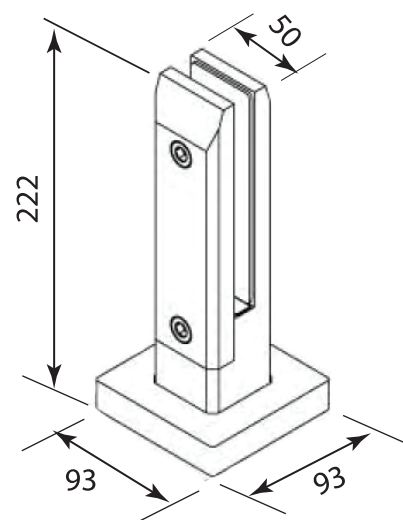
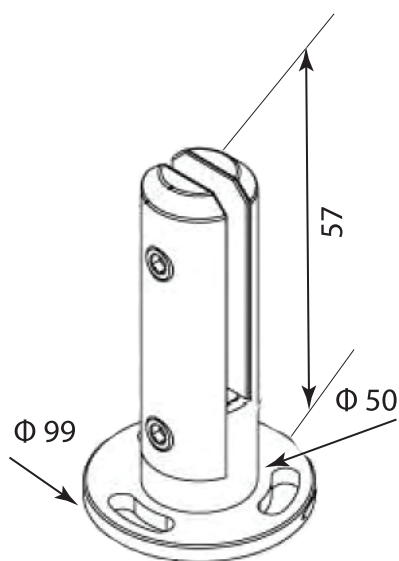
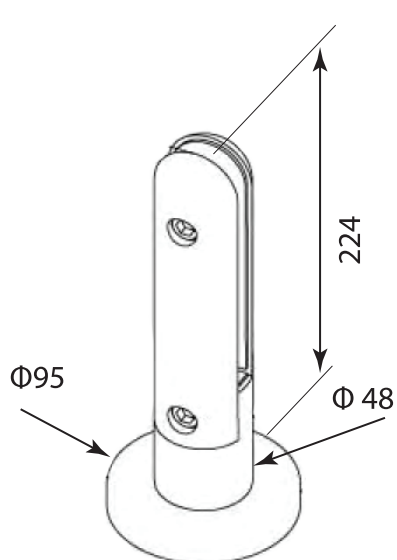
NUC 75H



NUC 75J

	NUC 75B	NUC 75H	NUC 75J
Base plate	Plate $\Phi 95$, Clip $\Phi 48$	Plate $\Phi 99$, Clip $\Phi 50$	93 x 93
Height	224	57	222
Material	SUS 304 grade, SUS 316 (optional)		
Mounting base type	Circular		Square
Temperature	Storage $-10^{\circ}\text{C} \sim +65^{\circ}\text{C}$		
Humidity	95%		
Certifications	CE, RoHS		

DRAWINGS



all dimensions in mm



NSP752



NU754



NU754T



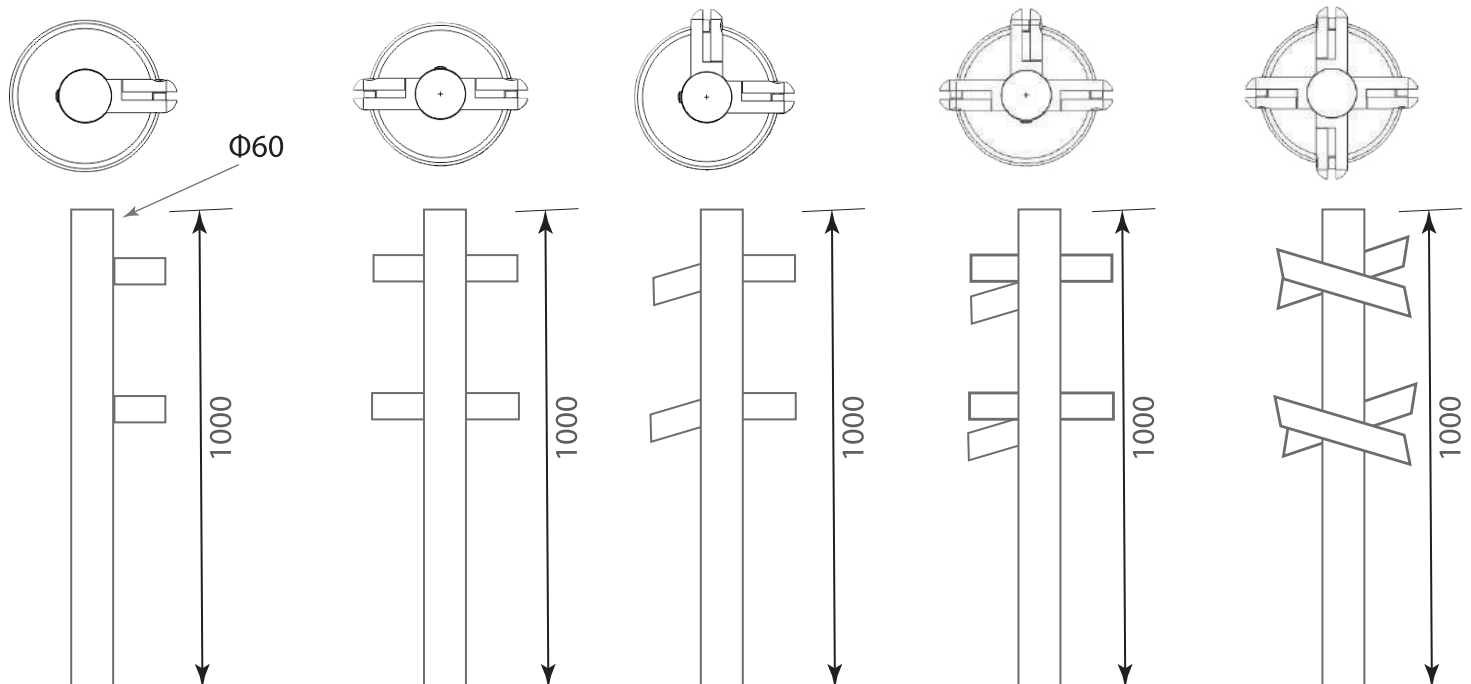
NU756



NU758

	NSP752	NU754	NU754T	NU756	NU758
Foundation base	Plate $\Phi 60$ / Customised				
Height	1000 (Default)/ 1000+/- (Customised)				
Material	SUS304 grade/ Aluminium /SUS316 (optional)				
Mounting base type	Circular				
Glass bracket mounting	2	4	4	6	8
Temperature	Storage $-10^{\circ}\text{C} \sim +65^{\circ}\text{C}$				
Humidity	95%				
Certifications	CE, RoHS				

DRAWINGS



all dimensions in mm

CUSTOMISATION

Nundnet, the Nundnet logo, and other trademarks associated with Nundnet products referred to in this publication are trademarks of Nundlab, Inc. USA or its affiliates. Product specifications and availability are subject to change without notice. © Copyright 2018, Nundlab, Inc. USA, All rights reserved.

Nundlab inc., USA.



Nundnet[®]
entry exit engineering

www.nundnet.com